



**Installation / Operation Instructions
Sunnex ORION Series Exam Lights**

Models:

OR-120
OR-127
OR-220
OR-227

OR-300
OR-400
OR-500
OR-600

1. APPLICATIONS

The Sunnex ORION Series light was designed specifically for examination and task lighting applications. These versatile LED lights are ideal for consulting rooms, health centers and industrial areas where high quality lighting is required is needed



Sunnex Inc. is ISO 9001-2008 certified



2. OPERATION

2.1. Positioning

The arm systems are fitted with a friction hinge and a locking handle. Tighten locking handle after desired placement is achieved.

Note: Loosen locking handle before attempting to position.

2.2. Operation

The on/off push button is located on the back of the light head. Light intensity can be adjusted by rotating the back housing.

NOTE! The switch only switches off the secondary voltage to the lamp. The plug-in transformer must be removed from the wall socket in order to disconnect the lamp unit from the main voltage

3. CLEANING AND DISENFECTION

The lamp fixture can be cleaned as needed with a damp cloth and a mild detergent. For disinfection use a soft cloth with a disinfectant solution such as isopropyl alcohol. **NOTE!** Do not introduce any fluids to the inside of the lamp head as this could cause a fire hazard.

The lens can be cleaned with a damp cloth and a mild detergent.

4. SERVICE

There are no user serviceable parts.

5. TECHNICAL DATA

5.1. Manufacturer

SUNNEX Sales and Production

8001 Tower Point Drive.

Charlotte NC 28227,

USA Phone: 800-445-7869

Fax: 888-668-1920

Email: sunnex@sunnex.com

Sunnex Inc. is ISO 9001-2008 certified

5.2. Technical Data

Voltage	Primary: 100-240VAC, 0.5A MAX, 50Hz - 60Hz Secondary : 24Vdc, 0.5AMP MAX
Power	8W
LED	3 integrated Diodes
Safety Class	Class III, Designed for IP65
Color Temperature (CCT)	4500 K
Color Rendering Index (CRI)	≥ 94CRI
Total Irradiance	28KLUX Max @ 50CM
Certifications	CSA Listed: CSA-C22.2 No. 12-1982 (R2004) UL 153, 12 th Ed. UL8750, 1 st Ed. CSA C22.2 No. 250.13.12 IEC 60598-2-4 (ED.2)

5.3. Transport and Storage

Transportation and storage temperature: -5°F / -20°C to 140°F / 60°C, Humidity < 95%

Sunnex Inc. is ISO 9001-2008 certified

6. MOUNTING INSTRUCTIONS

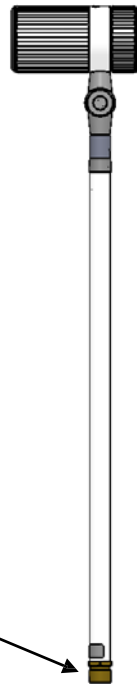
6.1. Panel Mount (OR-100 Series)

Panel Mount Gooseneck Arm – 24Vdc Input voltage required.

The OR-100 Series can be mounted in to either a threaded or non-threaded hole.

Panel Mount Fitting:
 $\frac{1}{2}$ -14 NPSM

Lock Nut Provided:
 $\frac{1}{2}$ -14 NPS

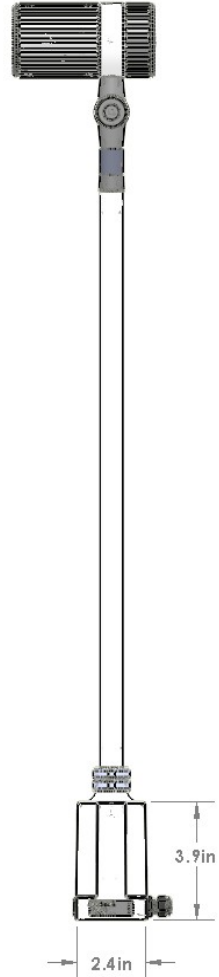
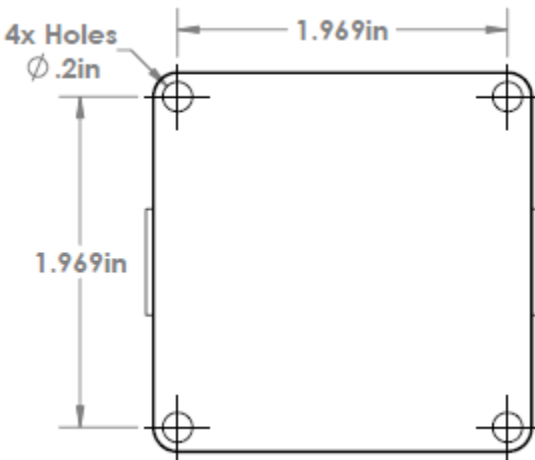


6.2. Direct Mount (OR-200 Series)

Direct Mount Gooseneck Arm - 12W - Plug-in transformer

The OR-200 Series can be directly mounted to a plane surface.

BASE MOUNTING DETAIL



6.3. Mobile (OR-300 Series)

Mobile caster base - 12W - Plug-in transformer

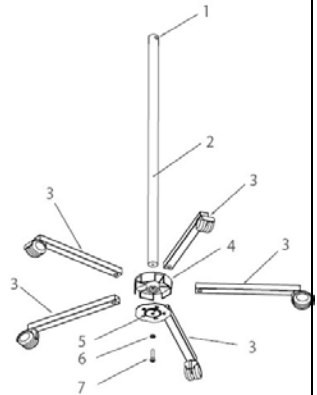
- A. Place the pole (2) in the center housing (4)
- B. Press down until you feel resistance. Assemble the clamp plate (5) using the provided screw (7) and washer (6). Do not tighten the screw. The teeth on the plate should face inwards.
- C. Insert each of the 5 legs into the center housing, and place the 2 lockable casters on opposite sides.
- D. Tighten the screw (7). Secure the legs in the housing by lining up the teeth on the clamp plate (5) with the holes in the legs.

Insert Arm Assembly into caster pole

- A. Loosen the knob screw in the pole. Insert the stem of the light fixture arm into the pole and tighten the knob screw until you feel resistance.
- B. Verify that the arm is securely locked in the pole.
- C. Turn on the light by pushing the push-button switch on back of lamp.

Insert light assembly into caster pole

- A. Loosen the knob screw in the pole. Insert the stem of the light fixture arm into the pole and tighten the knob screw until you feel resistance.
- B. Verify that the arm is securely locked in the pole.
- C. Turn on the light by actuating the push-button switch on back of lamp.



6.4. Wall (OR-400 and OR-600 Series)

Wall Mount - 12W - Plug-in transformer

A. Remove the 2 screws in the wall plate (Item 1).

B. Remove the wall plate from casing (2)

C. Drill 4 holes (8mm) in alignment with the holes in wall plate. Make sure plate is leveled.

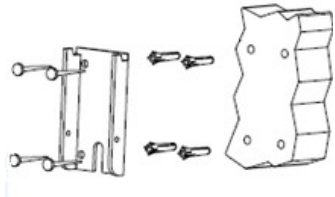
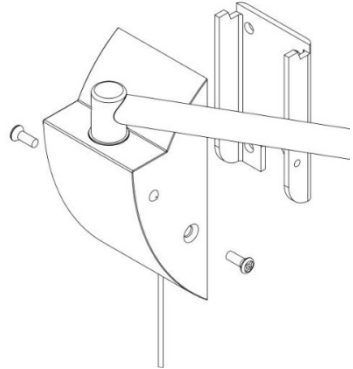
NOTE! Wall plate must be mounted to wall stud or structural member.

D. Insert the anchors into the holes and attach the wall plate. **The screws and anchors are NOT provided.**

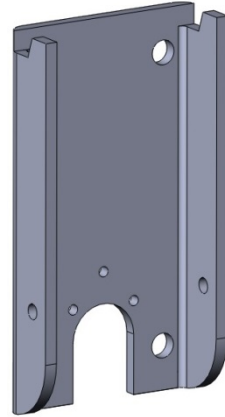
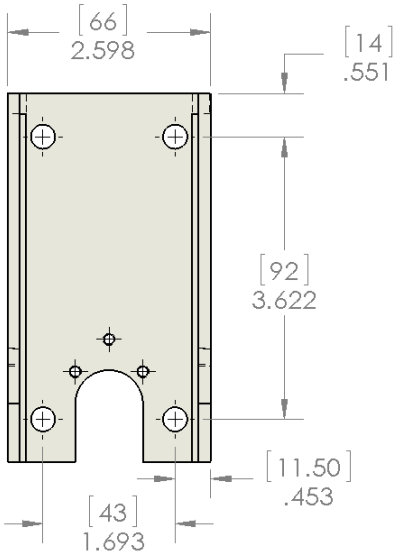
E. Attach wall casing to the wall plate with provided screws.

F. Ensure that the wall casing is securely fastened to the plate and adjust and tighten the arm as needed.

G. Plug the transformer into power outlet and turn on lamp with switch on back of lamp head.



CAUTION! The arm is equipped with friction joints. Do not tighten the joints excessively as this will cause uneven movement and could damage the arm.



6.5. ORION Ceiling (OR-500 Series)

Ceiling Mount - 12W - Plug-in transformer

A. Securely fasten lamp down tube to the ceiling. It is recommended that six 5/16" diameter or larger fasteners of the proper length for your individual application be used. Be sure down tube is securely mounted to structural framework. Down tube should be mounted plumb.

B. Be sure transformer plug is not plugged into power source at this time.

C. After down tube support is secured, plug the electrical



Sunnex Inc. is ISO 9001-2008 certified

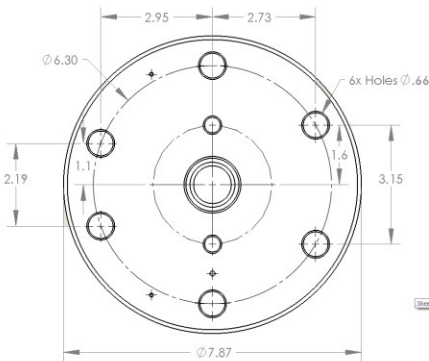
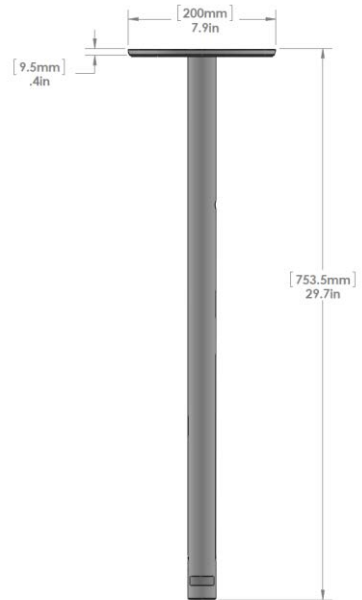
connectors at the end of the down tube support and connectors on lamp arm together.

D. Remove the two Phillips head screws supplied in lamp mounting bushing, insert lamp mounting bushing into down tube barrel. Line up screw holes through the down tube and the lamp mounting bushing and securely tighten fasteners.

E. Plug lamp transformer into electrical outlet.

F. Test operation of lamp

CAUTION! The arm is equipped with friction joints. Do not tighten the joints excessively as this will cause uneven movement and could damage the arm.



ORION CEILING BRACKET HOLE PATTERN (DIMENSIONS IN INCHES)



Sunnex Limited Warranty

7. Limited Warranty.

Sunnex warrants that the Product, if properly used, will be free from defects in material and workmanship, for a period of three (3) years from the date of shipment to Customer. This Limited Warranty extends only to the original buyer. If the Product is determined to be defective within the warranty period, Sunnex, at its option, will repair or replace the Product, at no charge or refund the then-current value of the Product.

7.1. Disclaimers and Limitations.

This Limited Warranty shall be the sole remedy of Customer and the sole liability of Sunnex to Customer.

This Limited Warranty does not extend or apply to any defects, failures or damage due to or resulting from: (a) acts of God, accident, misuse, use of the Product other than its normal and customary manner, abuse or negligence; (b) everyday wear and tear; (c) alteration or modification of, or to any part of, the Product; (d) improper operation and maintenance; or (d) any repairs or attempted repairs by anyone other than Sunnex. This Limited Warranty does not cover any products sold AS IS or WITH ALL FAULTS. This Limited Warranty excludes the replacement of bulbs for the Product.

TO THE FULL EXTENT PERMITTED BY APPLICABLE LAW, THIS LIMITED WARRANTY REPLACES ALL OTHER WARRANTIES OR CONDITIONS, EXPRESS OR IMPLIED INCLUDING, WITHOUT LIMITATION, ANY AND ALL IMPLIED WARRANTIES OF MERCHANTABILITY AND FITNESS FOR A PARTICULAR PURPOSE. SUNNEX DISCLAIMS ALL OTHER WARRANTIES AND CONDITIONS, EXPRESS OR IMPLIED, INCLUDING, WITHOUT LIMITATION, IMPLIED WARRANTIES OF TITLE, NONINFRINGEMENT, ABSENCE OF LIENS OR INCUMBRANCES, MERCHANTABILITY AND FITNESS FOR A PARTICULAR PURPOSE, REGARDLESS OF WHETHER SUNNEX KNOWS OR HAS REASON TO KNOW OF CUSTOMER'S PARTICULAR NEEDS. IF IMPLIED WARRANTIES MAY NOT BE DISCLAIMED UNDER APPLICABLE LAW, THEN ANY IMPLIED WARRANTIES THAT MAY BE IMPOSED BY LAW ARE LIMITED IN DURATION TO THE LIMITED WARRANTY PERIOD SET FORTH HEREIN, AND

Sunnex Inc. is ISO 9001-2008 certified



THEREAFTER ANY IMPLIED WARRANTIES ARE EXPRESSLY DISCLAIMED.

No employee, agent, dealer, reseller or distributor of Sunnex is authorized to modify this Limited Warranty, or to make any additional warranties.

REPAIR, REPLACEMENT OR REFUND, AS PROVIDED UNDER THIS LIMITED WARRANTY, ARE CUSTOMER'S SOLE AND EXCLUSIVE REMEDIES. IN NO EVENT SHALL SUNNEX BE LIABLE FOR ANY DIRECT, INDIRECT, SPECIAL, INCIDENTAL, CONSEQUENTIAL OR TORT DAMAGES OR LOSSES, WHETHER TO PERSON OR PROPERTY, INCLUDING DEATH, ARISING OUT OF OR RESULTING FROM ANY BREACH OF WARRANTY OR ANY OTHER LEGAL THEORY, OR ARISING OUT OF OR IN CONNECTION WITH THE PRODUCT OR CUSTOMER'S USE OF THE PRODUCT, EVEN IF SUNNEX IS ADVISED OF THE POSSIBILITY OF SUCH DAMAGES. IN ANY EVENT, THE TOTAL LIABILITY OF SUNNEX TO YOU FOR ANY CAUSE WHATSOEVER SHALL BE LIMITED TO THE PURCHASE PRICE YOU PAID FOR THE PRODUCT. THIS LIMITATION SHALL APPLY REGARDLESS OF THE FORM OF ACTION, WHETHER IN CONTRACT OR TORT (INCLUDING, WITHOUT LIMITATION, NEGLIGENCE).

SOME STATES DO NOT ALLOW THE EXCLUSION OR LIMITATION OF INCIDENTAL OR CONSEQUENTIAL DAMAGES, OR ALLOW LIMITATIONS ON HOW LONG AN IMPLIED WARRANTY LASTS, SO THE ABOVE LIMITATIONS OR EXCLUSIONS MAY NOT APPLY TO YOU. THIS LIMITED WARRANTY GIVES YOU SPECIFIC LEGAL RIGHTS, AND YOU MAY ALSO HAVE OTHER RIGHTS THAT VARY FROM STATE TO STATE.

7.2. Claims Procedure.

7.2.1. Customer must contact Sunnex at (800)-445-7869 with a request for warranty service or to report a technical issue. Sunnex Technical Support will attempt to identify, diagnose and resolve the reported problem via the telephone.

Sunnex Inc. is ISO 9001-2008 certified



7.2.2. If attempts by Sunnex to resolve a reported problem are unsuccessful, Customer will then be provided with a Customer-specific Returned Merchandise Authorization number (“RMA”). The RMA number must be noted on any correspondence to Sunnex and displayed prominently on the outside packaging of any Product shipped to Sunnex.

7.2.3. Within ten (10) days of receipt of the RMA number, Customer must ship the Product to Sunnex at Customer’s expense (insuring the Product is recommended) in either its original packaging or packaging affording an equal degree of protection, to *Sunnex Inc. 8001 Tower Point Drive, Charlotte, NC 28227*, with a statement describing the problem in reasonable specificity. Proof of purchase must be included to obtain warranty service. Sunnex will not be held responsible for shipping damages that occur in transit. Any damage to the Product during shipping will not be covered under this Limited Warranty and shall be subject to a service charge.

7.2.4. Subject to the limitations specified herein, upon receipt, Sunnex will inspect the shipped Product and, at its sole discretion, repair or replace the Product with the same or a like product to the extent it does not conform to this Limited Warranty. In the event Sunnex, at its sole discretion, opts to replace the Product, should said product be discontinued or no longer be offered for sale by Sunnex, a like product in design and functionality will be provided to Customer

7.2.5. Sunnex will ship the repaired Product or a replacement to Customer within ten (10) business days after receipt from the date that Sunnex receives the Product. Standard shipments to the Customer will be paid by Sunnex. Sunnex assumes no responsibility for shipment delays by the carrier.

7.2.6. If Customer requires warranty service to be provided in less than ten (10) business days, but not less than three (3) business days, Sunnex will charge Customer an additional One Hundred

Sunnex Inc. is ISO 9001-2008 certified



Dollars (\$100.00) express handling charge per request for each Product.

7.3. Customer Responsibilities.

7.3.1. To validated warranty customer is required to fill out online or provided warranty card.

7.3.2. Customer is required to follow the user manual associated with the Product for proper operation.

7.4. Customer is required to perform periodic preventive maintenance as called for in the user manual associated with the Product.

Any modifications or repairs made to the Product without prior written authorization from Sunnex will render this Limited Warranty null and void. Instances whereby this is determined to be the case by Sunnex technical staff will be subject to an initial service charge of \$75.00 (\$25.00 evaluation charge and \$50.00 minimum labor cost).

7.5. Miscellaneous.

In the event that any provision of this Limited Warranty should be or becomes invalid and/or unenforceable during the warranty period, the remaining provisions shall continue in full force and effect.

The provisions of this Limited Warranty shall be governed by the laws of the State of North Carolina without regard to its conflict of laws principles. This Limited Warranty shall not be modified except by an agreement signed by both parties specifically referencing this Limited Warranty.

This Limited Warranty represents the entire agreement between Sunnex and Customer with respect to the subject matter herein and supersedes all prior or contemporaneous oral or written communications, representations, understandings or agreements relating to this subject.

For service assistance or resolution of a service problem, or for Product or warranty information, write to *Sunnex Inc. 8001 Tower Pint Dr, Charlotte, NC 28227*, or visit www.sunnex.com.

Sunnex Inc. is ISO 9001-2008 certified

Sunnex Customer Service

Sunnex Inc, USA	+ 1 800-445-7869
Sunnex Equipment AB Sweden	+ 46 565 177 00
Warranty	+ 1 800-445-7869

REV. 2.0
December, 2015

Sunnex Inc. is ISO 9001-2008 certified