



Solo Spot™ LED / Solo Spot™

The Solo Spot™ is ideal for applications where a focused, spot light is required. The specially designed lamp head offers cool light and a focused, intense spot. This light is perfect for direct attachment to medical equipment such as patient tables and chairs and ideal for OB-GYN, dental, and surgical applications.

Product Features:

- Unique, double filtered lens and color correction filter with lampshade extension help keep light cool on skin and illuminate with natural skin tones to improve tissue clarity
- Excellent maneuverability allows for easy adjustment of light
- 3.5" Diameter spot pattern at 20°
- Available in ceiling, c-clamp, wall, and mobile configurations



“Ideal for applications where a focused, spot light is required.”



TECHNICAL DATA

Feature	LED	Halogen
Power Supply	120V / 60 Hz AC -or- 230-240V / 50 Hz AC	120V / 60 Hz AC -or- 230-240V / 50 Hz AC
Light Intensity	28,000 LUX	18,000 LUX
Light Source	LED	Halogen
Light Color	5,650 - 6,300 Kelvin	2,900 Kelvin
Color	White or Black	White or Black

Specifications

Configurations	Ceiling	C-Clamp	Wall	Mobile
Weight (lbs)	16	6	6	15

LED

Mount Option	White Part #	Black Part #
Ceiling	LM2017-44W-EXT	LM2017-44B-EXT
C-Clamp	LM2002-38W-EXT	LM2002-38B-EXT
Wall	LM2005-37W-EXT	LM2005-37B-EXT
Mobile	LM2006-38W-EXT	LM2006-38B-EXT

Halogen

Mount Option	White Part #	Black Part #
Ceiling	HM2017-44W-EXT	HM2017-44B-EXT
C-Clamp	HM2002-38W-EXT	HM2002-38B-EXT
Wall	HM2005-37W-EXT	HM2005-37B-EXT
Mobile	HM2006-38W-EXT	HM2006-38B-EXT



Mobile



Ceiling

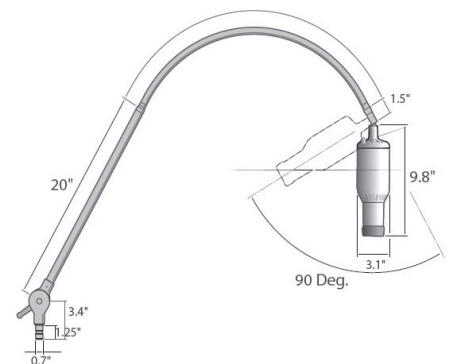


C-Clamp

Mount Accessories



L-Bracket



Solo Spot™ Dimensions